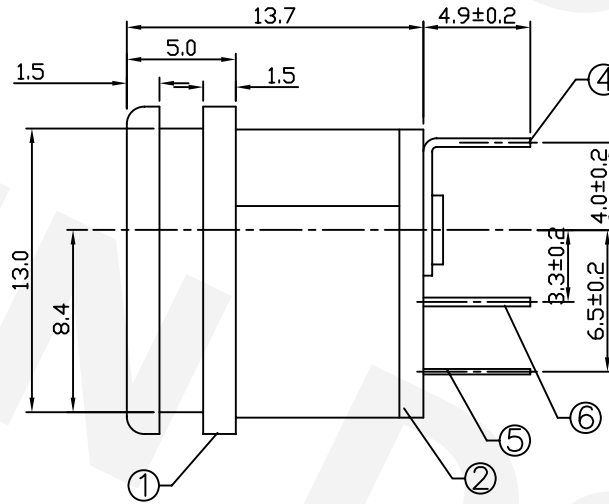
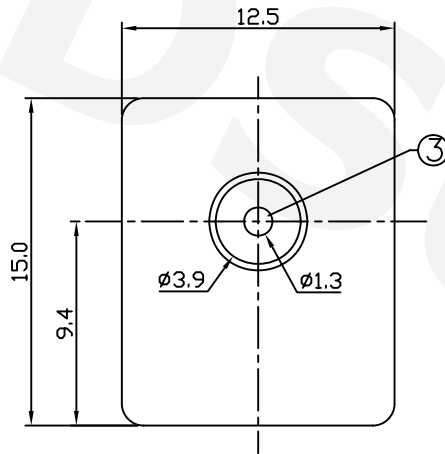
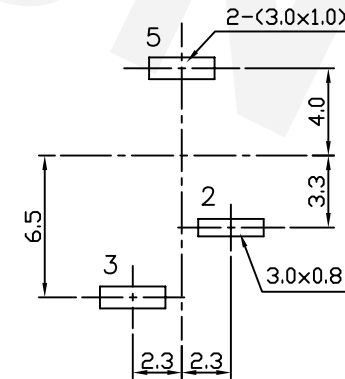


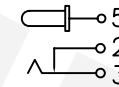
REV	LTR	DESCRIPTION	DATE	REVISER	APPD



P.C.B LAYOUT
TOP VIEW



SCHEMATIC



⑥	Shunt terminal	1	Brass	Ag-Plating
⑤	Tip spring	1	SUS	Ag-Plating
④	Center pin terminal	1	Brass	Ag-Plating
③	Center pin	1	Copper alloy	Ni-Plating
②	Cover	1	PF	
①	Housing	1	PBT	Black
NO.	DESCRIPTION	QTY	MATERIAL	PLATING

东莞市鼎尚电子有限公司
DONGGUAN DSUN ELECTRONICS CO.,LTD.

UNIT:MM	TYPE: DC POWER JACK			
	MODEL NO: DC-015C			
PAPER NO: A4	TOLERANCE	ANGLES	SCALE	VER
PAGE 1 OF 1	±0.3	±2°	FULL	03
DESIGNER BY: KING LI	CHECK BY: XIAOMING HU	APPROVED BY: RONG zhon		