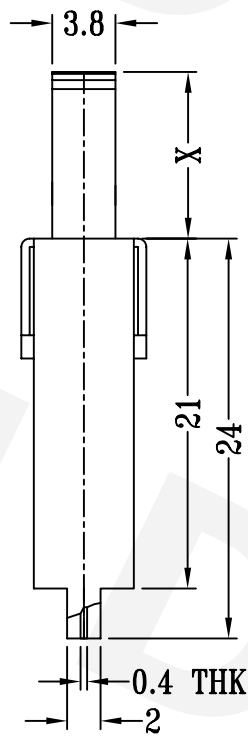
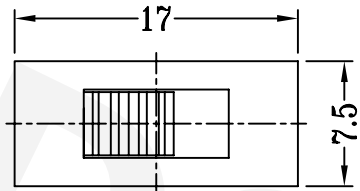
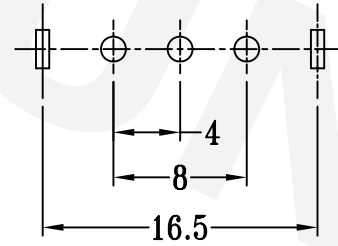


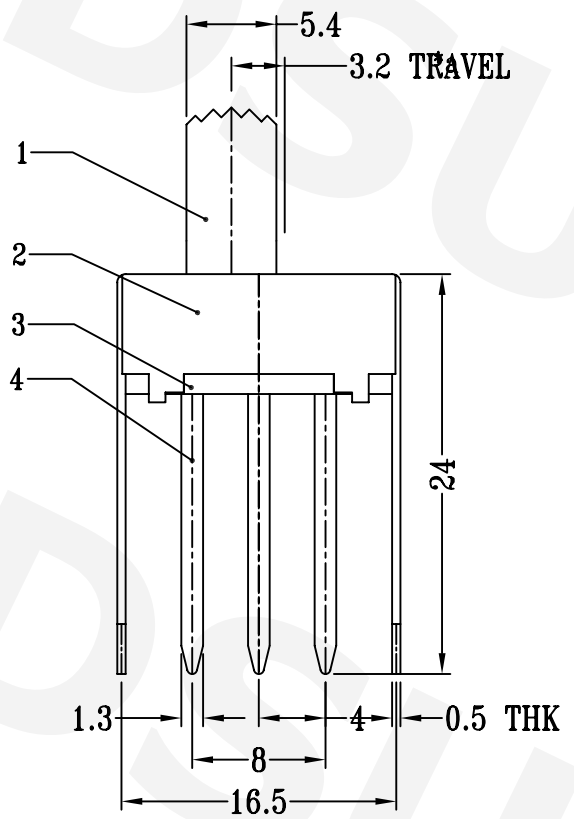
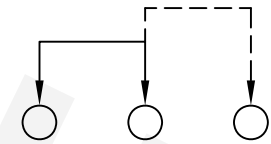
REV	LTR	DESCRIPTION	DATE	REVISER	APPD



P. C. B Layout
(Top view)



Schematic



东莞市鼎尚电子有限公司
DONGGUAN DSUN ELECTRONICS CO.,LTD.

UNIT:MM	TITLE: VERTICAL SLIDE SWITCH			
	MODEL: SS-12F25			
PAPER NO: A4	UP TO 1.5mm:±0.1	ANGULAR	SCALE	VER
PAGE 1 OF 1	ABOVE 1.5mm:±0.2	±1°	FULL	03
DESIGNER BY: KING LI	CHECK BY: XIAOMING HU	APPROVED BY: RONG zhon		

NO.	DESCRIPTION	QTY	MATERIAL	PLATING
④	TERMAINAL	3	BRASS	AG-PLATED
③	TERMAINALBASE	1	PHENOL IC RESIN	
②	FRAME	1	ATEEL STRIP	NI-PLATED
①	KNOB	1	POM	BLACK

1 2 3 4 5 6 7 8

A B C D E F G H

1 2 3 4 5 6 7 8